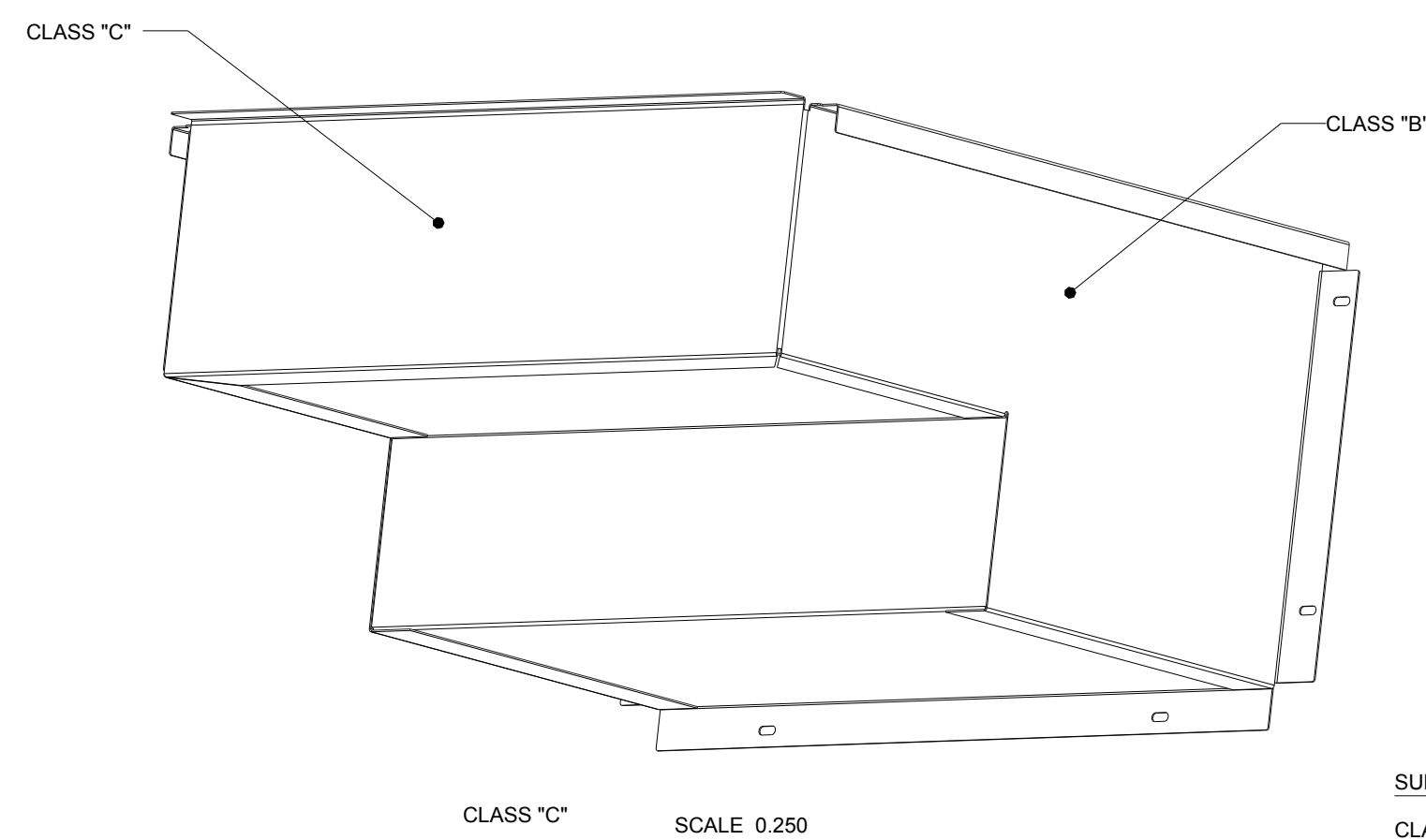
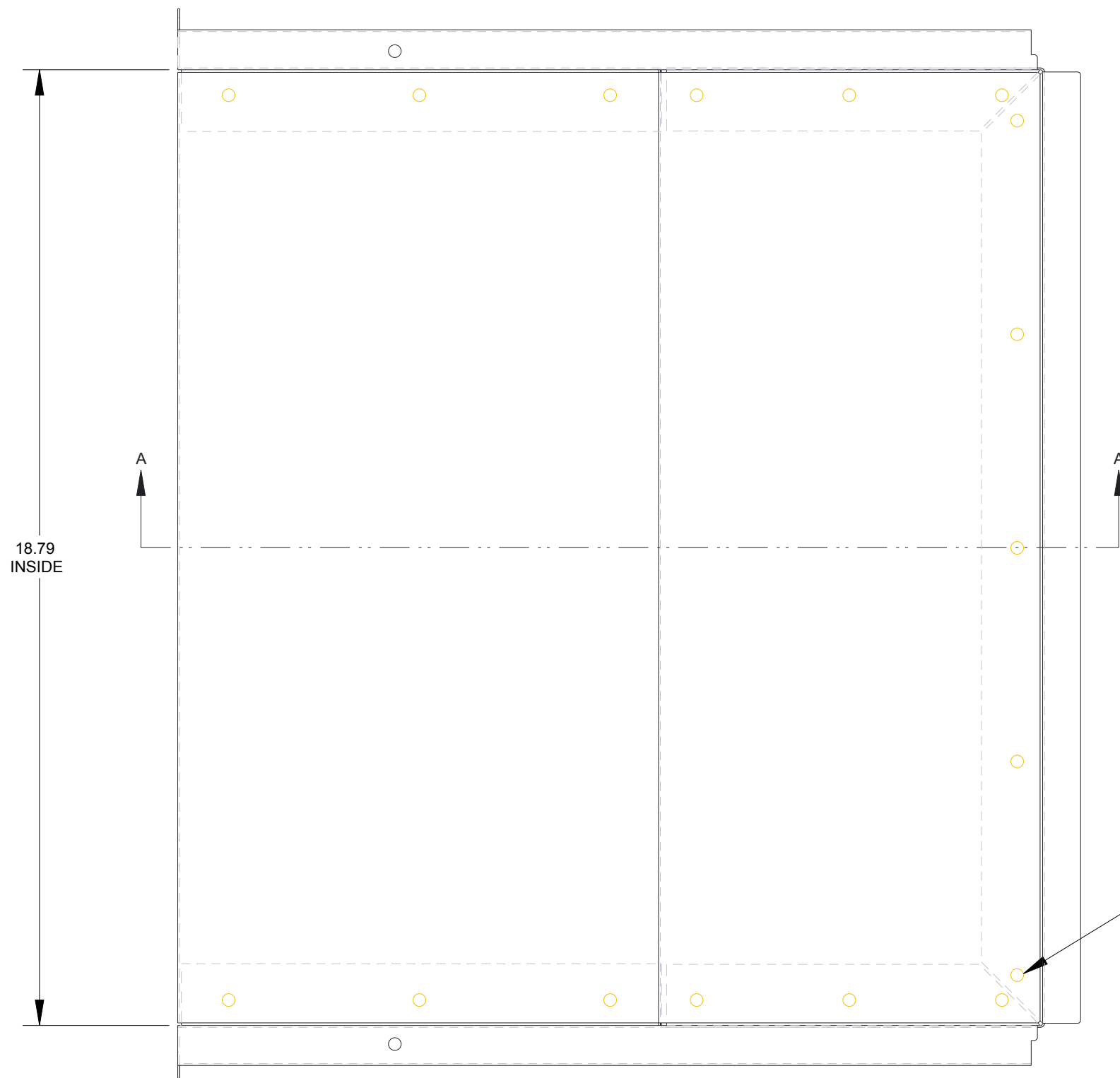
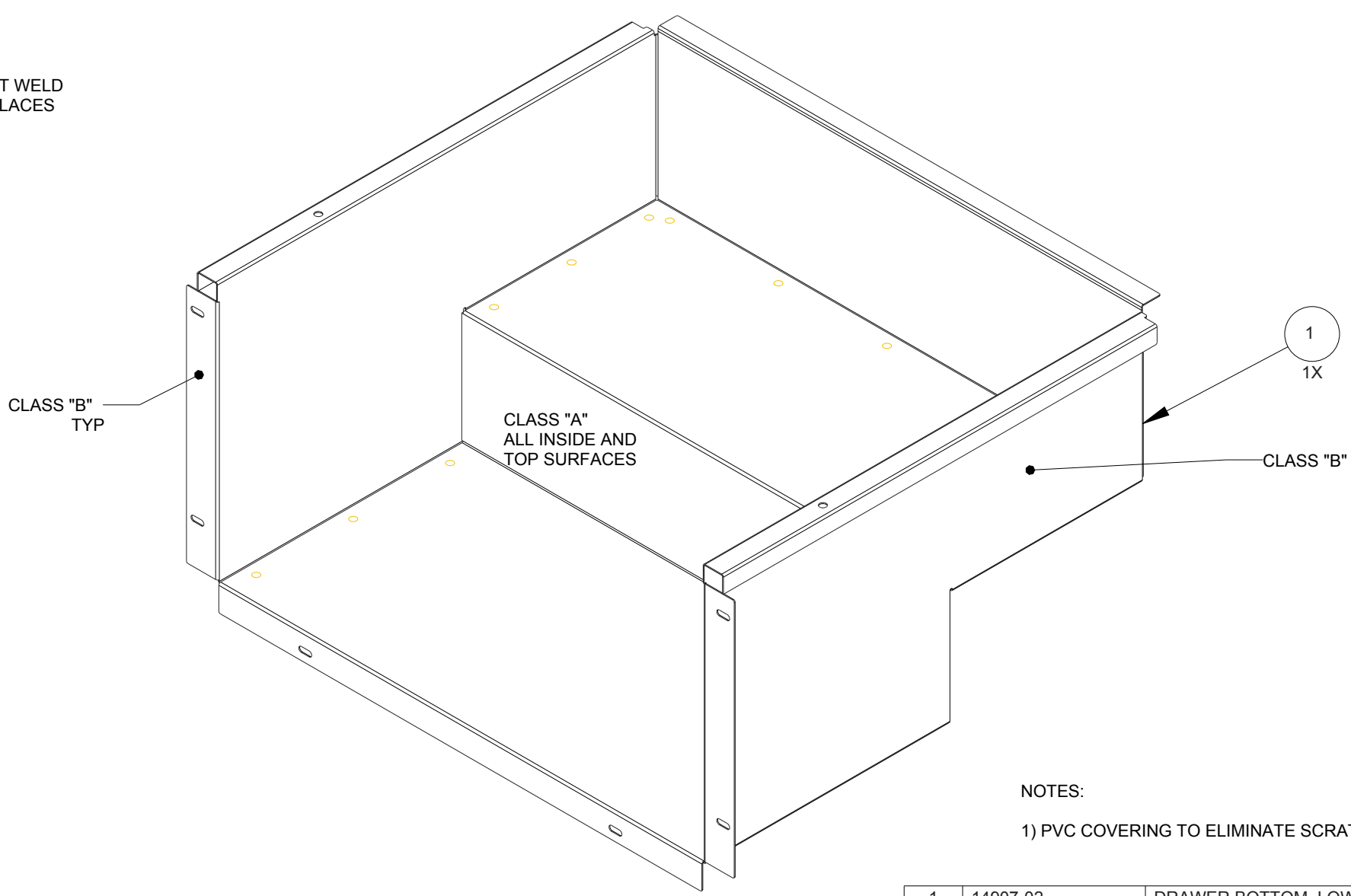
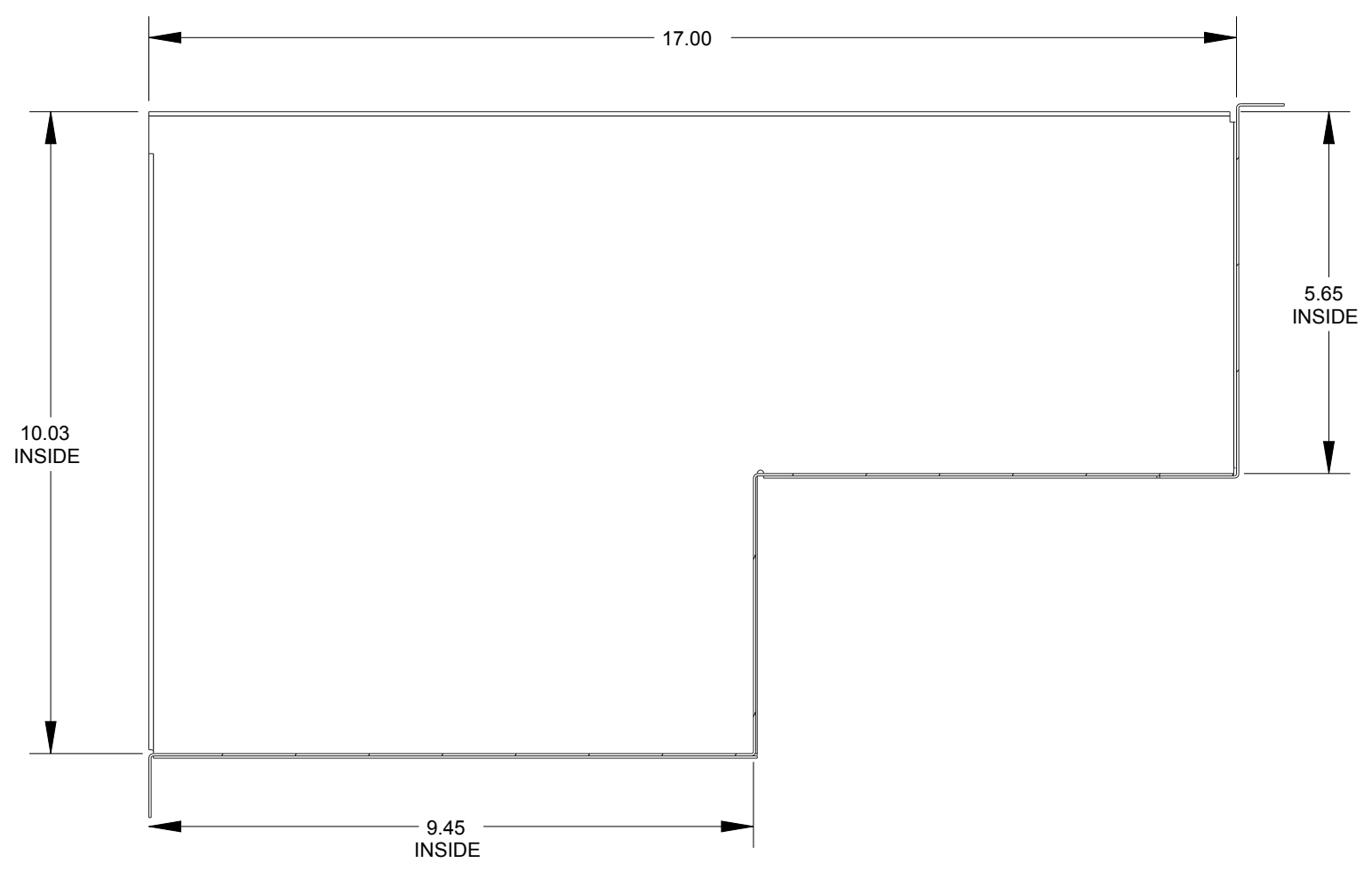


REVISION HISTORY				
REV	ECN	DESCRIPTION	BY	DATE
A		RELEASED	JWL	21OCT15



SURFACE FINISH CLASSES:
 CLASS "A": HIGHLY VISIBLE
 CLASS "B": SECONDARY
 CLASS "C": NOT VISIBLE

SPOT WELD
16-PLACES



NOTES:
 1) PVC COVERING TO ELIMINATE SCRATCHES AND DAMAGE

REQ'D	PART NUM	DESCRIPTION	ITEM
1	14907-02	DRAWER BOTTOM, LOWER 24"	2
1	14907-01	TUB BOTTOM 1224DWR	1
-	14907	WELDED DWR ASSY, BOT, 1224DWR	-

UNLESS OTHERWISE SPECIFIED ALL DIMENSIONS ARE IN INCHES .XX ± .03 .XXX ± .015 X ± .1 HOLE Ø = +.010/- .004 REMOVE BURRS AND SHARP EDGES TO .015 MAX. INTERPRET DIM AND TOL PER ASME Y14.5M-1994 DO NOT SCALE DRAWING		THIRD ANGLE PROJECTION			
THIS DRAWING IN DESIGN AND DETAIL IS THE PROPERTY OF U-LINE CORPORATION ALL RIGHTS OF DESIGN AND INVENTION ARE RESERVED.		DRAWING NAME WELDED DWR ASSY, BOT, 1224DWR			
MODEL 1224DWR	MATERIAL	SIZE C	DRAWING NUMBER 14907	REV A	
CHECKED BY	DATE CHECKED	DRAWN BY JWL	DATE DRAWN 10/21/15	SCALE 0.375	SHEET 1 OF 1