

2260DWR • 60 cm Independent Dual-Zone Drawer Model • Modular 2000 Series

FEATURES & BENEFITS



INTEGRATED SOLID



STAINLESS SOLID (HANDLELESS PANEL)*

PERFORMANCE	<ul style="list-style-type: none"> • Volume of 127 litres holds up to 90 bottles (330 ml) or 142 cans (330 ml) • Temperature range: 1°C - 21°C • Digital Touch Pad Control is conveniently located on upper face of unit • Convection cooling system rapidly and efficiently takes items to the set temperature
INTERIOR/EXTERIOR	<ul style="list-style-type: none"> • Black interior is illuminated with LED lighting • Equipped with 2 full-extension soft-close drawers
INTEGRATION	<ul style="list-style-type: none"> • Fixed grille can accept an integrated plinth • Four independently adjustable leveling legs provide a precise undercounter fit

MODEL DETAILS

Model	Voltage/Hz	Door Swing	Finish	Shipping Weight
U-2260DWRINT-00A	220-240 / 50	Drawers	Integrated Solid	72 kg

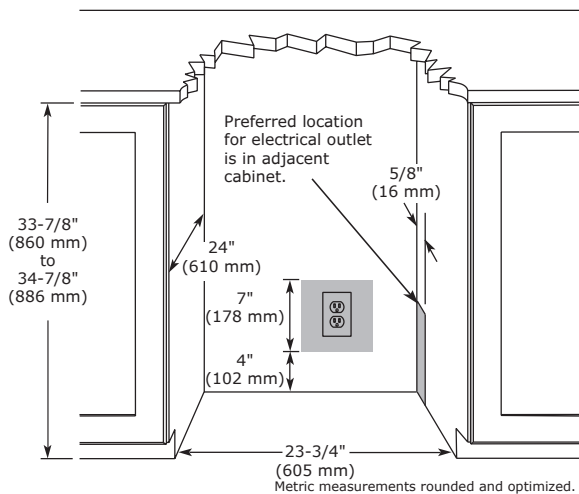
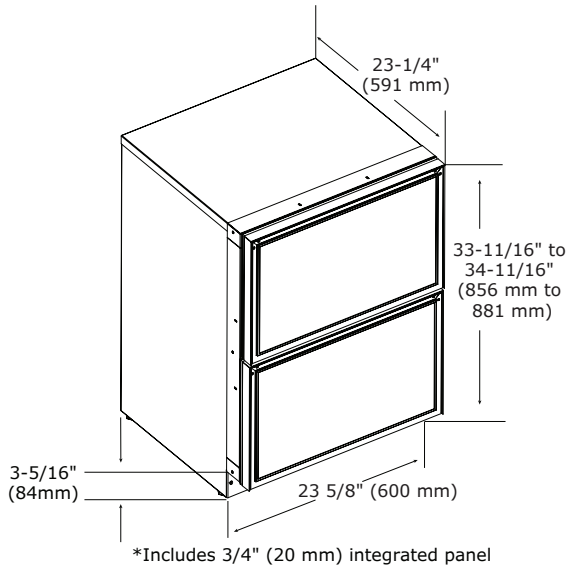
ACCESSORIES

Model	Description	Finish	Shipping Weight
U-DWRESP60S*	Euro Style Handleless Panel, 60 cm Solid Drawers (2 panels)	Stainless Solid	5 kg

*Installs on integrated models.

Modular 2000 Series • 60 cm Independent Dual-Zone Drawer Model • 2260DWR
NICHE / RECESS

Dimensions shown apply to Integrated (INT) models with a 20 mm integrated panel/frame installed (applies to U-Line's Euro Style Handleless Panel Accessory).


PRODUCT FICHE

Model	2260DWR
Category	3
Energy efficiency class on a scale of A+++ to G	A+
Energy consumption in kWh per year	116 kWh
Total volume: fridge compartment (net)	127 L
Total volume: wine compartment (net)	N/A
Total volume: freezer compartment (net)	N/A
Frost-free compartment	Yes
Temperature rise time in event of blackout (hrs)	N/A
Climate class	T or ST
Noise emissions	46 dBA
Dimensions: width	600 mm
Dimensions: depth	590 mm
Dimensions: height	856 mm
Net weight: solid door	67 kg
Net weight: glass door	N/A
Panel type	Solid Panel
Panel thickness	20 mm
Panel height	379 mm (2 panels)
Panel width	595 mm (2 panels)
Rated frequency	50 Hz
Rated voltage	220-240 v
Refrigerant charge	38 g
Foam blowing agent	HFO-1233zd

INSTALLATION NOTES

No additional clearance around sides, top or rear of unit is needed for ventilation.

Do not obstruct front grille/fascia air flow.

For cabinet depths less than 620 mm, electrical socket must be located in the adjacent cabinet or recess in the wall. The power cord length is 180 cm.

*Must be installed in a climate controlled environment and operate within the temperatures designated in U-Line's Limited Warranty.

Please visit U-Line.com to view this model's User Guide. All specifications are subject to change without notice.

COOLING SYSTEM
