

**2260R • 60 cm Solid Door Refrigerator • 2000 Series**

**FEATURES & BENEFITS**



INTEGRATED SOLID



STAINLESS SOLID

<b>PERFORMANCE</b>	<ul style="list-style-type: none"> <li>• Volume of 139 litres holds up to 114 bottles (330 ml) or 172 cans (330 ml)</li> <li>• Digital Touch Pad Control is conveniently located on upper face of unit</li> <li>• Temperature range: 1°C-7°C</li> <li>• Convection cooling system rapidly and efficiently takes items to the set temperature</li> <li>• Maintains temperature to within 0,5°C of the set point to maximize preservation</li> </ul>
<b>INTERIOR/EXTERIOR</b>	<ul style="list-style-type: none"> <li>• Black interior is illuminated with LED Lighting</li> <li>• Four adjustable tempered glass shelves with 11 height positions</li> <li>• Full-extension, slide-out crisper drawer is removable for easy cleaning</li> <li>• Door swing is field reversible. Unit is shipped with door installed right-hand hinged</li> </ul>
<b>INTEGRATION</b>	<ul style="list-style-type: none"> <li>• To achieve a stainless steel finish, a Euro Style panel accessory must be ordered and installed on an integrated model. Euro Style Panel Accessory must be installed on corresponding unit type (Frame/Solid)</li> <li>• Robust, concealed and covered hinges with built-in door stop and closer</li> <li>• Integrated model requires 20 mm custom door panel</li> <li>• Fixed grille can accept an overlay plinthe</li> <li>• Four independently adjustable leveling legs provide a precise undercounter fit</li> </ul>

**MODEL DETAILS**

Model	Voltage/Hz	Door Swing	Finish	Shipping Weight
U-2260RINT-00B	220-240 / 50	Field Reversible	Integrated Solid	71 kg
U-2260RINT-00B and U-ESP60S	220-240 / 50	Field Reversible	Stainless Solid*	76 kg

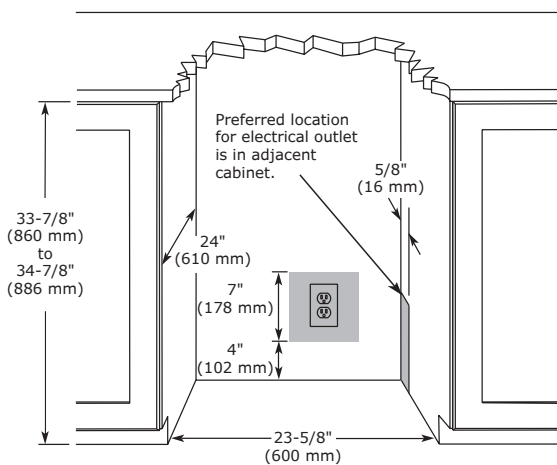
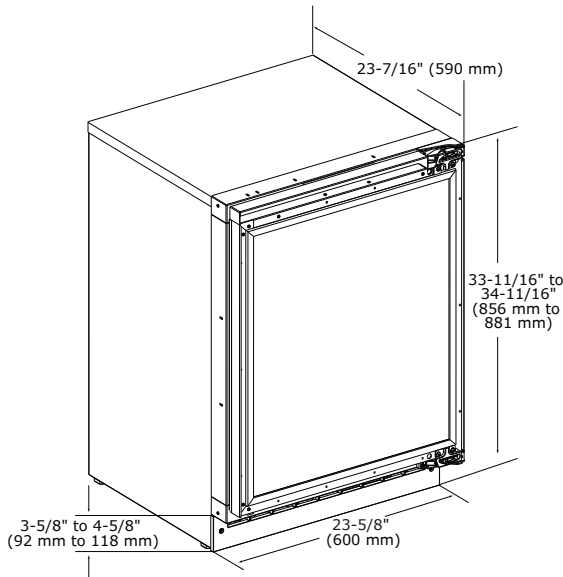
**ACCESSORIES**

Model	Description	Finish	Shipping Weight
U-ESP60S	Euro Style Panel Solid 60 cm	Stainless Solid	5 kg

\*To achieve a stainless steel finish, a Euro Style panel accessory must be ordered and installed on an integrated model. Euro Style Panel Accessory must be installed on corresponding unit type (Frame/Solid).

2000 Series • 60 cm Solid Door Refrigerator • **2260R**
**NICHE / RECESS**

Dimensions shown apply to Integrated (INT) models with a 20 mm integrated panel/frame installed (applies to U-Line's Euro Stainless Steel Panel Accessory).


**INSTALLATION NOTES**

No additional clearance around sides, top or rear of unit is needed for ventilation.

Do not obstruct front grille air flow.

\*Must be installed in a climate controlled environment and operate within the temperatures designated in U-Line's Limited Warranty.

Please visit [U-Line.com](http://U-Line.com) to view this model's User Guide. All specifications are subject to change without notice.

**PRODUCT FICHE**

Model	2260R
Category	3
Energy efficiency class on a scale of A+++ to G	A+
Energy consumption in kWh per year	117 kWh
Total volume: fridge compartment (net)	136 L
Total volume: wine compartment (net)	N/A
Total volume: freezer compartment (net)	N/A
Frost-free compartment	Yes
Temperature rise time in event of blackout (hrs)	N/A
Climate class	ST
Noise emissions	46 dBA
Dimensions: width	600 mm
Dimensions: depth	590 mm
Dimensions: height	856 mm
Net weight: solid door	66 kg
Net weight: glass door	N/A
Panel type	Solid Panel (-00 Suffix)
Panel thickness	20 mm
Panel height	762 mm
Panel width	594 mm
Rated frequency	50 Hz
Rated voltage	220-240 v
Refrigerant charge	38 g
Foam blowing agent	HFO-1233zd
Marine capable	Yes*

**COOLING SYSTEM**
