

2260ZWC • 60 cm Independent Dual-Zone Wine Cellar • 2000 Series

FEATURES & BENEFITS



INTEGRATED FRAME



INTEGRATED SOLID



STAINLESS FRAME



STAINLESS SOLID

PERFORMANCE	<ul style="list-style-type: none"> • Volume of 133 litres holds up to 43 wine bottles (0,75 L) • Digital Touch Pad Control is conveniently located on upper face of unit • Temperature range: 1°C - 18°C • Digital passive cooling system • Maintains temperature to within 0,5°C of the set point to maximize preservation • Independently controlled dual-zones • Relative humidity inside the unit is approx. 50% • Rubber mounted compressor virtually eliminates vibration
INTERIOR/EXTERIOR	<ul style="list-style-type: none"> • Black interior is illuminated with LED lighting that automatically turns off when the door is closed, or can be set to stay on for 3 hours • Full extension black vinyl coated wine racks allow for easy access and prevent bottles from shifting • Wine racks accommodate a variety of bottle shapes and sizes, while the third and sixth racks allow for larger diameter wine and champagne bottles • LowE coated, argon gas filled triple thermopane glass door provides protection from harmful UV light • Door swing is field reversible. Unit is shipped with door installed right-hand hinged
INTEGRATION	<ul style="list-style-type: none"> • To achieve a stainless steel finish, a Euro Style panel accessory must be ordered and installed on an integrated model. Euro Style Panel Accessory must be installed on corresponding unit type (Frame/Solid) • Solid natural beech wood fronts on wine racks can easily be stained to match surrounding cabinetry • Robust, concealed and covered hinges with built-in door stop and closer • Integrated model requires 20 mm custom door panel • Fixed grille can accept an overlay plinthe • Four independently adjustable leveling legs provide a precise undercounter fit

MODEL DETAILS

Model	Voltage/Hz	Door Swing	Finish	Shipping Weight
U-2260ZWCINT-00B	220-240 / 50	Field Reversible	Integrated Frame	72 kg
U-2260ZWCINT-60B	220-240 / 50	Field Reversible	Integrated Solid	69 kg
U-2260ZWCINT-00B and U-ESPF60S	220-240 / 50	Field Reversible	Stainless Frame*	76 kg
U-2260ZWCINT-60B and U-ESP60S	220-240 / 50	Field Reversible	Stainless Solid*	74 kg

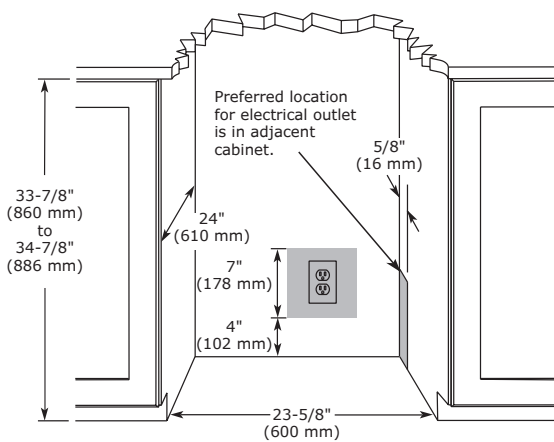
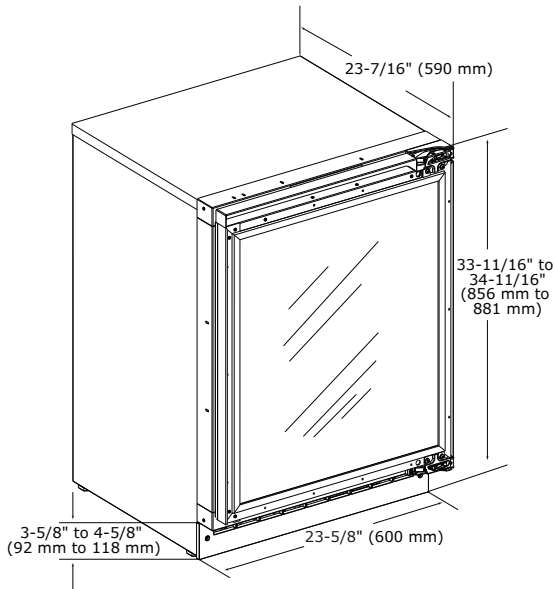
ACCESSORIES

Model	Description	Finish	Shipping Weight
U-ESPF60S	Euro Style Panel Frame 60 cm	Stainless Frame	4 kg
U-ESP60S	Euro Style Panel Solid 60 cm	Stainless Solid	5 kg

*To achieve a stainless steel finish, a Euro Style panel accessory must be ordered and installed on an integrated model. Euro Style Panel Accessory must be installed on corresponding unit type (Frame/Solid).

2000 Series • 60 cm Independent Dual-Zone Wine Cellar • **2260ZWC**
NICHE / RECESS

Dimensions shown apply to Integrated (INT) models with a 20 mm integrated panel/frame installed (applies to U-Line's Euro Stainless Steel Panel Accessory).


PRODUCT FICHE

Model	2260ZWC
Category	2
Energy efficiency class on a scale of A+++ to G	A
Energy consumption in kWh per year	117 kWh
Total volume: fridge compartment (net)	N/A
Total volume: wine compartment (net)	130 L
Total volume: freezer compartment (net)	N/A
Frost-free compartment	Yes
Temperature rise time in event of blackout (hrs)	N/A
Climate class	ST
Noise emissions	46 dBA
Dimensions: width	600 mm
Dimensions: depth	590 mm
Dimensions: height	856 mm
Net weight: solid door	64 kg
Net weight: glass door	67 kg
Panel type	Frame Panel (-00 suffix) or Solid Panel (-60 suffix)
Panel thickness	20 mm
Panel height	762 mm
Panel width	594 mm
Rated frequency	50 Hz
Rated voltage	220-240 v
Refrigerant charge	30 g
Foam blowing agent	HFO-1233zd
Marine capable	Yes*

INSTALLATION NOTES

No additional clearance around sides, top or rear of unit is needed for ventilation.

Do not obstruct front grille air flow.

This appliance is intended to be used exclusively for the storage of wine.

Please visit U-Line.com to view this model's User Guide. All specifications are subject to change without notice.

COOLING SYSTEM
