

3060FZR • 60 cm Freezer • Modular 3000 Series

FEATURES & BENEFITS



INTEGRATED SOLID



STAINLESS SOLID

PERFORMANCE	<ul style="list-style-type: none"> • Volume of 127 litres • Temperature range: -21°C to -15°C • Convection cooling system rapidly and efficiently takes items to the set temperature • U-Select® Control allows you to quickly set your model to our pre-programmed Polar mode • U-Select® Control with digital OLED display is conveniently located on upper face of unit • Maintains temperature to within 0,5°C of the set point to maximize preservation
INTERIOR/EXTERIOR	<ul style="list-style-type: none"> • Black interior is illuminated with LED Theatre lighting that automatically turns off when the door is closed • Three full-extension, durable vinyl coated freezer baskets are removable for easy cleaning • Baskets can accommodate large pizza boxes and one-gallon containers with additional space for more storage • Door swing is field reversible. Unit is shipped with door installed right-hand hinged
INTEGRATION	<ul style="list-style-type: none"> • To achieve a stainless steel finish, a Euro Style panel accessory must be ordered and installed on an integrated model. Euro Style Panel Accessory must be installed on corresponding unit type (Frame/Solid) • Robust, concealed and covered hinges with built-in door stop and closer • Adjustable grille/fascia can be shifted front-to-back and up-and-down • Grille/fascia can accept a custom integrated plinthe • Integrated model requires 20 mm custom panel of your choice, or can accept U-Line Euro Style Stainless Steel Panel Accessory (must be ordered separately) • Four independently adjustable leveling legs; rear legs are adjustable from the front for ease of installation

MODEL DETAILS

Model	Voltage/Hz	Door Swing	Finish	Shipping Weight
U-3060FZRINT-00B	220-240 / 50	Field Reversible	Integrated Solid	78 kg
U-3060FZRINT-00B and U-ESP60S	220-240 / 50	Field Reversible	Stainless Solid*	83 kg

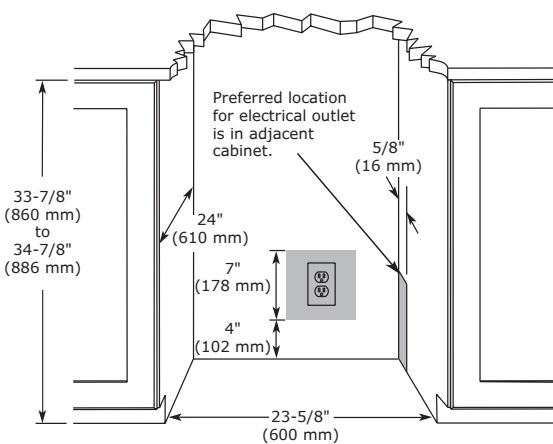
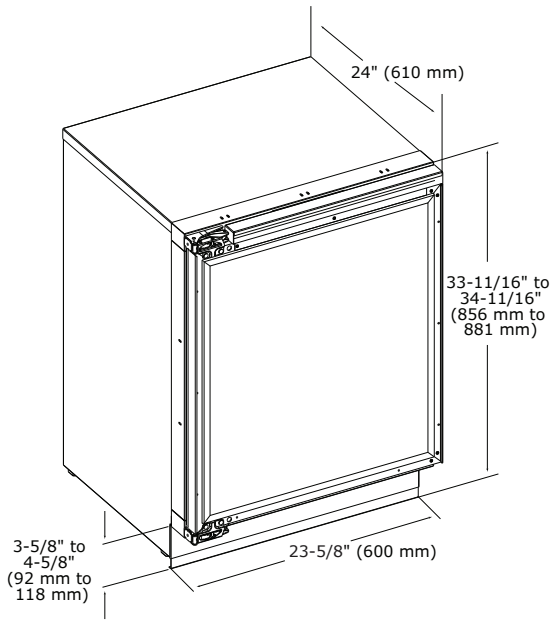
ACCESSORIES

Model	Description	Finish	Shipping Weight
U-ESP60S	Euro Style Panel Solid 60 cm	Stainless Solid	5 kg

*To achieve a stainless steel finish, a Euro Style panel accessory must be ordered and installed on an integrated model. Euro Style Panel Accessory must be installed on corresponding unit type (Frame/Solid).

Modular 3000 Series • 60 cm Freezer • **3060FZR**
NICHE / RECESS

Dimensions shown apply to Integrated (INT) models with a 20 mm integrated panel/frame installed (applies to U-Line's Euro Stainless Steel Panel Accessory).


INSTALLATION NOTES

No additional clearance around sides, top or rear of unit is needed for ventilation.

Do not obstruct front grille/fascia air flow.

For cabinet depths less than 620 mm, electrical socket must be located in the adjacent cabinet or recess in the wall. The power cord length is 180 cm.

*Must be installed in a climate controlled environment and operate within the temperatures designated in U-Line's Limited Warranty.

Please visit U-Line.com to view this model's User Guide. All specifications are subject to change without notice.

PRODUCT FICHE

Model	3060R
Category	8
Energy efficiency class on a scale of A+++ to G	C
Energy consumption in kWh per year	414 kWh
Total volume: fridge compartment (net)	N/A
Total volume: wine compartment (net)	N/A
Total volume: freezer compartment (net)	127 L
Frost-free compartment	Yes
Temperature rise time in event of blackout (hrs)	TBD
Climate class	ST
Noise emissions	48 dBA
Dimensions: width	600 mm
Dimensions: depth	610 mm
Dimensions: height	856 mm
Net weight: solid door	73 kg
Net weight: glass door	N/A
Panel type	Solid Panel (-00 Suffix)
Panel thickness	20 mm
Panel height	762 mm
Panel width	594 mm
Rated frequency	50 Hz
Rated voltage	220-240 v
Refrigerant charge	62 g
Foam blowing agent	HFO-1233zd
Marine capable	Yes*

COOLING SYSTEM
