

CO29 • 21" Marine Combo® Model • Marine Series

FEATURES & BENEFITS



PERFORMANCE	<ul style="list-style-type: none"> Refrigerator volume of 2.1 cu ft (59,5 litres) holds up to 24 bottles (12 oz / 330 ml) or 44 cans (12 oz / 330 ml) Mechanical Dial Control is conveniently located on the grille Temperature range: 34°F - 45°F (1°C - 7°C) Daily ice produces up to 18 lb (8,2 kg) of ice Up to 13 lb (5,9 kg) in ice storage capacity Crescent ice cube dimensions: 1/2" W x 3/4" H x 2 1/2" L (12,7 mm W x 19 mm H x 63,5 mm L) Available in 115 or 220-240 volts
INTERIOR/EXTERIOR	<ul style="list-style-type: none"> No drain required Two removable tempered glass shelves Two fixed storage compartments in door Door swing is field reversible Standard travel package includes door latch, ensuring safe-at-sea storage Corrosion and UV resistant components provide product longevity in harsh environments
INTEGRATION	<ul style="list-style-type: none"> Unit is designed to be built-in or can be freestanding Available in the following finishes: Black or White Accepts a 1/4" (6,4 mm) custom insert panel

MODEL DETAILS

Model	Voltage/Hz	Door Swing	Finish	Shipping Weight
ULN-CO29B-03A	115 / 60	Right-Hand Hinge	Black Solid	94 lb (43 kg)
ULN-CO29B-20A	220-240 / 50	Right-Hand Hinge	Black Solid	94 lb (43 kg)
ULN-CO29W-03A	115 / 60	Right-Hand Hinge	White Solid	94 lb (43 kg)
ULN-CO29W-20A	220-240 / 50	Right-Hand Hinge	White Solid	94 lb (43 kg)

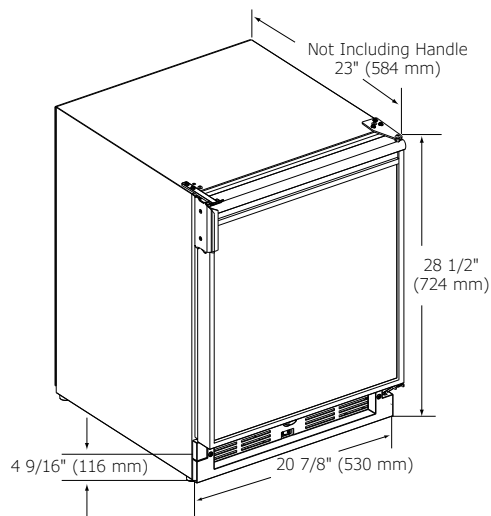
ACCESSORIES

Model	Description	Finish	Shipping Weight
WATERHOOKUP	Braided water supply line kit	N/A	2 lb (0,9 kg)
U-POWERCORD-2056*	Power Cord, 220-240v Great Britain/Ireland	Black	1 lb (0,5 kg)
U-POWERCORD-2667*	Power Cord, 220-240v Continental Europe	Black	1 lb (0,5 kg)
U-POWERCORD-2256*	Power Cord, 220-240v Australia/New Zealand	Black	1 lb (0,5 kg)
U-POWERCORD-3071*	Power Cord, 220-240v China	Black	1 lb (0,5 kg)
U-POWERCORD-3111*	Power Cord, 220-240v India	Black	1 lb (0,5 kg)

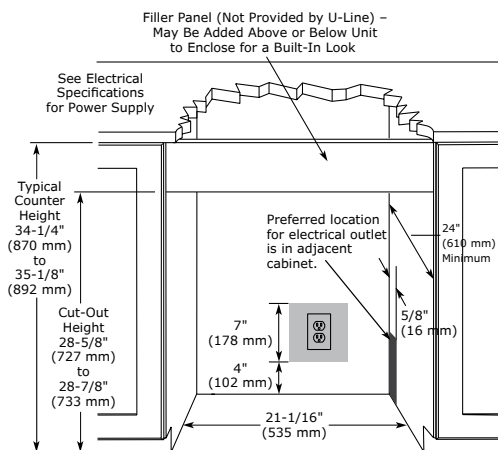
*Power cord type must be specified with each U-Line order; no additional cost for power cord.

Marine Series • 21" Marine Combo® Model • **CO29**

DIMENSIONS



CABINET CUT-OUT



SPECIFICATIONS

Model	CO29
Amps: Running (115v)	2.5 amps
Amps: Running (220-240v)	1.2 amps
Amps: Max Start Up (115v)	18 amps
Amps: Max Start Up (220-240v)	6 amps
Capacity: Bottle	24 (12oz/330ml)
Capacity: Can	44 (12oz/330ml)
Capacity: Volume	2.1 cu ft (59 litres)
Control Type	Mechanical Dial
Defrost Type	Manual
Dimensions: Product Depth	23" (584 mm)
Dimensions: Product Height	28 1/2" (724 mm)
Dimensions: Product Width	20 7/8" (530 mm)
ENERGY STAR	N/A
Panel Type	Insert
Panel Thickness	1/4" (6,4 mm)
Panel Height	21 13/32" (544 mm)
Panel Width	19 13/16" (503 mm)
Ice Production Per Day	18 lb
Ice Storage	13 lb
Product Weight: Max	85 lb (39 kg)
Refrigerant Type	R134A
Sabbath (Star K Certified)	No
Temperature Range	34°F - 45°F (1°C - 7°C)
Marine Capable	Yes

INSTALLATION NOTES

Cutout includes the additional 1/4" (6,4 mm) width overall to ensure proper installation.

No additional clearance around sides, top or rear of unit is needed for ventilation.

Do not obstruct front grille air flow.



Residential

UL listing only applies to 115 v models.

CE only applies to 220-240v models.

Please visit U-Line.com to view this model's User Guide.

All specifications are subject to change without notice.