

**SS1095 • 14" Marine Crescent Ice Maker • Marine Series**

**FEATURES & BENEFITS**



STAINLESS SOLID (FLUSH TO CABINET)

STAINLESS SOLID (FLUSH TO DOOR)

STAINLESS SOLID (NO FLANGE)

<b>PERFORMANCE</b>	<ul style="list-style-type: none"> <li>• Uses less than 3 gallons (11,4 litres) of water to produce up to 23 lb of ice per day</li> <li>• Up to 12 lb (5,4 kg) in ice storage capacity</li> <li>• Crescent ice cube dimensions: 1/2" W x 3/4" H x 2 1/2" L (12,7 mm W x 19 mm H x 63,5 mm L)</li> <li>• On/Off switch is conveniently located on the grille</li> <li>• Available in 115 or 220-240 volts</li> </ul>
<b>INTERIOR/EXTERIOR</b>	<ul style="list-style-type: none"> <li>• No drain required</li> <li>• Door swing is field reversible</li> <li>• Standard travel package includes door latch, ensuring safe-at-sea storage</li> <li>• Corrosion and UV resistant components provide product longevity in harsh environments</li> </ul>
<b>INTEGRATION</b>	<ul style="list-style-type: none"> <li>• Unit is designed to be built-in or can be freestanding</li> <li>• Multiple flange options</li> </ul>

**MODEL DETAILS**

Model	Voltage/Hz	Door Swing	Finish	Shipping Weight
ULN-SS1095FC-03A	115 / 60	Field Reversible (Flush to Cabinet)	Stainless Solid	66 lb (30 kg)
ULN-SS1095FC-20A	220-240 / 50	Field Reversible (Flush to Cabinet)	Stainless Solid	66 lb (30 kg)
ULN-SS1095FD-03A	115 / 60	Field Reversible (Flush to Door)	Stainless Solid	66 lb (30 kg)
ULN-SS1095FD-20A	220-240 / 50	Field Reversible (Flush to Door)	Stainless Solid	66 lb (30 kg)
ULN-SS1095NF-03A	115 / 60	Field Reversible (No Flange)	Stainless Solid	66 lb (30 kg)
ULN-SS1095NF-20A	220-240 / 50	Field Reversible (No Flange)	Stainless Solid	66 lb (30 kg)

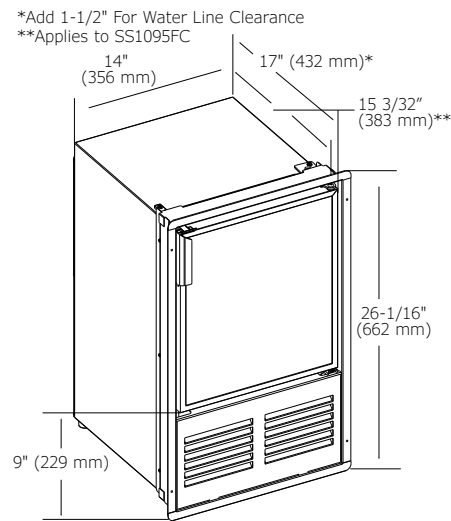
**ACCESSORIES**

Model	Description	Finish	Shipping Weight
WATERHOOKUP	Braided water supply line kit	N/A	2 lb (0,9 kg)
U-POWERCORD-2056*	Power Cord, 220-240v Great Britain/Ireland	Black	1 lb (0,5 kg)
U-POWERCORD-2667*	Power Cord, 220-240v Continental Europe	Black	1 lb (0,5 kg)
U-POWERCORD-2256*	Power Cord, 220-240v Australia/New Zealand	Black	1 lb (0,5 kg)
U-POWERCORD-3071*	Power Cord, 220-240v China	Black	1 lb (0,5 kg)
U-POWERCORD-3111*	Power Cord, 220-240v India	Black	1 lb (0,5 kg)

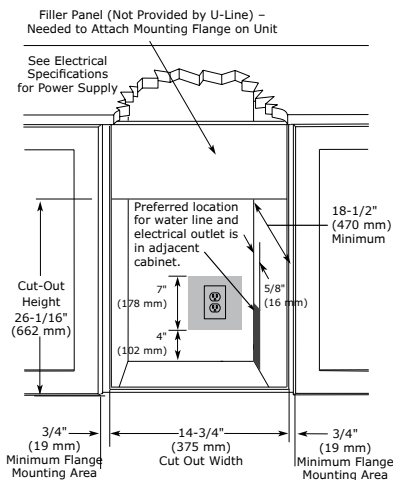
\*Power cord type must be specified with each U-Line order; no additional cost for power cord.

## Marine Series • 14" Marine Crescent Ice Maker • SS1095

### DIMENSIONS



### CABINET CUT-OUT



### INSTALLATION NOTES

No additional clearance around sides, top or rear of unit is needed for ventilation.

Do not obstruct front grille air flow.

### SPECIFICATIONS

Model	SS1095
Amps: Running (115v)	2.5 amps
Amps: Running (220-240v)	1.2 amps
Amps: Max Start Up (115v)	18 amps
Amps: Max Start Up (220-240v)	6 amps
Control Type	On/Off Switch
Defrost Type	Manual
Dimensions (NF): Product Depth	17" (432 mm)
Dimensions (NF): Product Height	25 1/16" (637 mm)
Dimensions (NF): Product Width	14" (356 mm)
Dimensions (FC): Product Depth	17" (432 mm)
Dimensions (FC): Product Height	25 1/8" (638 mm)
Dimensions (FC): Product Width	15 1/8" (384 mm)
Dimensions (FD): Product Depth	17" (432 mm)
Dimensions (FD): Product Height	26 1/16" (662 mm)
Dimensions (FD): Product Width	15 15/16" (405 mm)
ENERGY STAR	N/A
Ice Production Per Day	23 lb (10,4 kg)
Ice Storage	12 lb (5,4 kg)
Product Weight: Max	60 lb (25 kg)
Refrigerant Type	R134A
Sabbath (Star K Certified)	No
Marine Capable	Yes



UL listing only applies to 115 v models.

CE only applies to 220-240v models.

Please visit [U-Line.com](http://U-Line.com) to view this model's User Guide.

All specifications are subject to change without notice.