

SS98NF • 15" Marine Crescent Ice Maker • Marine Series

FEATURES & BENEFITS



STAINLESS SOLID (NO FLANGE)

PERFORMANCE	<ul style="list-style-type: none"> • Uses less than 3 gallons (11,4 litres) of water to produce up to 25 lb (11,3 kg) of ice per day • Up to 25 lb (11,3 kg) in ice storage capacity • Crescent ice cube dimensions: 1/2" W x 3/4" H x 2 1/2" L (12,7 mm W x 19 mm H x 63,5 mm L) • On/Off switch is conveniently located on the grille
INTERIOR/EXTERIOR	<ul style="list-style-type: none"> • No drain required • Door swing is field reversible • Standard travel package includes door latch, ensuring safe-at-sea storage • Corrosion and UV resistant components provide product longevity in harsh environments
INTEGRATION	<ul style="list-style-type: none"> • Unit is designed to be built-in or can be freestanding • Accepts a 1/4" (6,4 mm) custom insert panel

MODEL DETAILS

Model	Voltage/Hz	Door Swing	Finish	Shipping Weight
ULN-SS98NF-03A	115 / 60	Field Reversible (No Flange)	Stainless Solid	74 lb (34 kg)
ULN-SS98NF-20A	220-240 / 50	Field Reversible (No Flange)	Stainless Solid	73 lb (33 kg)

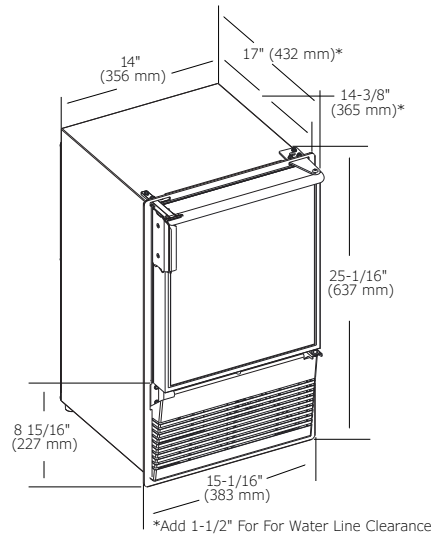
ACCESSORIES

Model	Description	Finish	Shipping Weight
WATERHOOKUP	Braided water supply line kit	N/A	2 lb (0,9 kg)
U-POWERCORD-2056*	Power Cord, 220-240v Great Britain/Ireland	Black	1 lb (0,5 kg)
U-POWERCORD-2667*	Power Cord, 220-240v Continental Europe	Black	1 lb (0,5 kg)
U-POWERCORD-2256*	Power Cord, 220-240v Australia/New Zealand	Black	1 lb (0,5 kg)
U-POWERCORD-3071*	Power Cord, 220-240v China	Black	1 lb (0,5 kg)
U-POWERCORD-3111*	Power Cord, 220-240v India	Black	1 lb (0,5 kg)

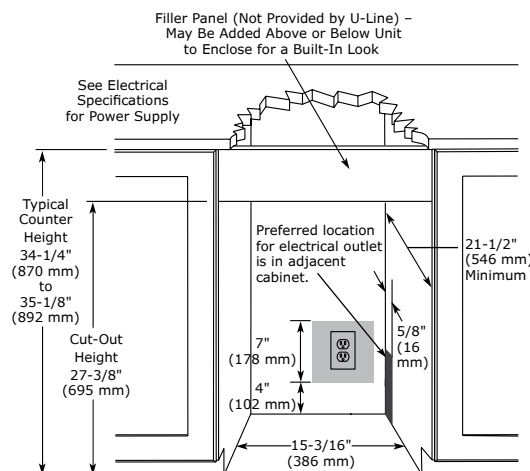
*Power cord type must be specified with each U-Line order; no additional cost for power cord.

Marine Series • 15" Marine Crescent Ice Maker • **SS98NF**

DIMENSIONS



CABINET CUT-OUT



SPECIFICATIONS

Model	SS98NF
Amps: Running (115v)	2.5 amps
Amps: Running (220-240v)	1.2 amps
Amps: Max Start Up (115v)	18 amps
Amps: Max Start Up (220-240v)	6 amps
Control Type	On/Off Switch
Defrost Type	Manual
Dimensions: Product Depth	20" (508 mm)
Dimensions: Product Height	27 3/8" (695 mm)
Dimensions: Product Width	14 15/16" (379 mm)
ENERGY STAR	N/A
Ice Production Per Day	25 lb (11,3 kg)
Ice Storage	25 lb (11,3 kg)
Product Weight: Max	68 lb (30,8 kg)
Refrigerant Type	R134A
Sabbath (Star K Certified)	No
Marine Capable	Yes

INSTALLATION NOTES

No additional clearance around sides, top or rear of unit is needed for ventilation.

Do not obstruct front grille air flow.



UL listing only applies to 115 v models.

CE only applies to 220-240v models.

Please visit U-Line.com to view this model's User Guide.

All specifications are subject to change without notice.